

MAFI 91250

Solar

End Cap



About the Product

The End Cap is designed to cover Solar Rail ends and comes in black color for optimal aesthetics. It has grooves inside as locking mechanism and a integrated drainage hole for rain water. It is recommended to cut the Solar Rail 50 mm from the edge of the solar panel for optimal aesthetics since it will cover 10 mm under the panel. The material can withstand the Nordic climate, is UV-resistant and free of toxic chemicals.

Flexibility

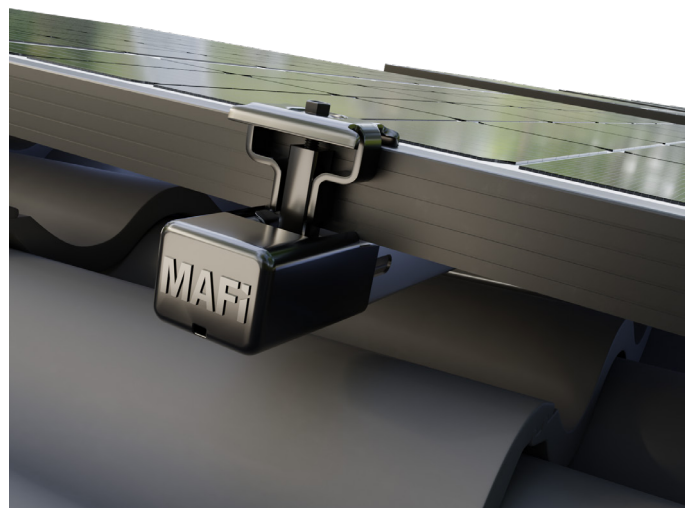
The End Cap is made from a flexible material and has bevelled edges for an easy installation even on rough edges after cutting the Solar Rail.

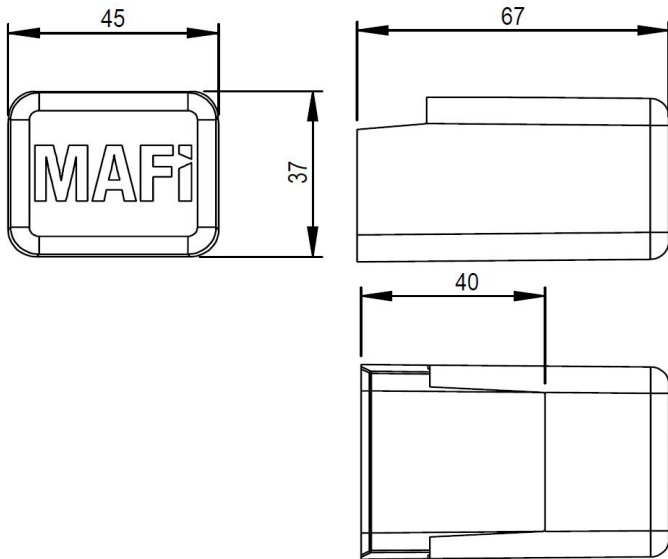
How to Order

To order, please contact MAFI quoting article number:

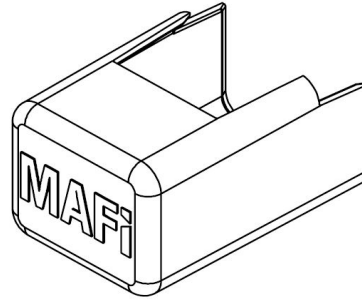
MAFI 91250

Please visit <https://www.mafigroup.com/how-to-order/> for regional contact information.





Measurements in
millimeters



Parts list

Part	Material	Quantity	Weight (g)
End Cap	TPE	1	18



91250