

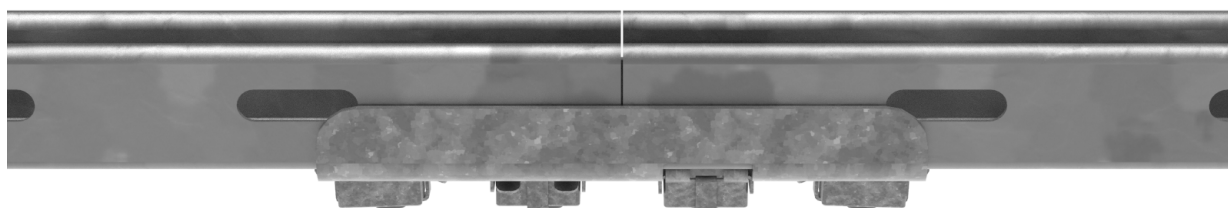
MAFI 912314

Solar

Joint Kit for Solar Rail

Trapezoidal sheet
metal roof

Tile roof



About the Product

The Joint Kit for Solar Rail is designed to joint together two Solar Rails, using 4x Flange Bolt M8x20 and 4x 9839 Speed Clip with the 9843 HEX Locker 8 mm. The Joint Kit for Solar Rail is made from Magnelis ®.

Flexibility

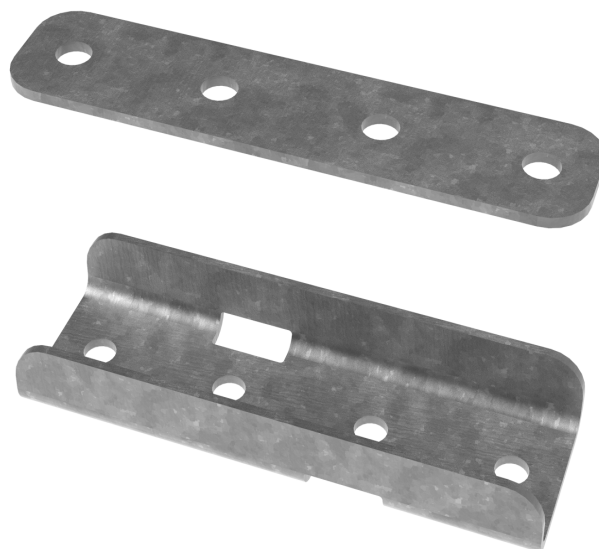
It is possible to order the Solar Rail with a pre-mounted Joint Kit for a faster and easier installation.

How to Order

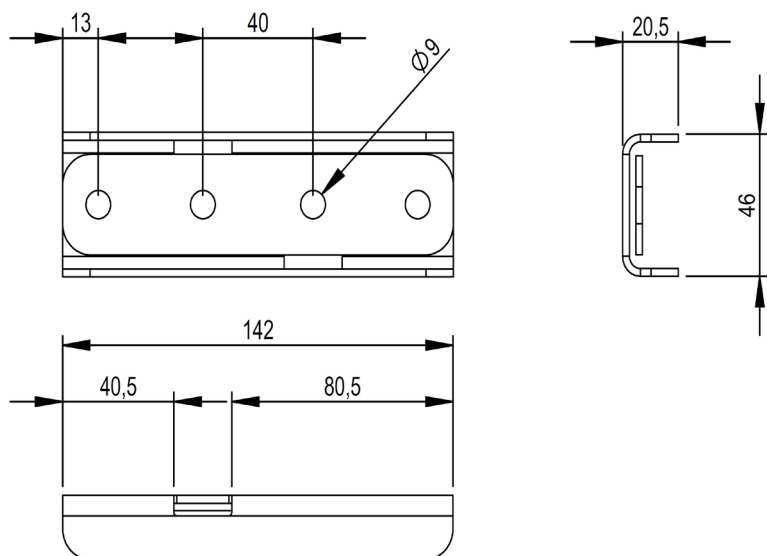
To order, please contact MAFI quoting article number:

MAFI 912314

Please visit <https://www.mafigroup.com/how-to-order/> for regional contact information.



Measurements in millimeters



Info

The maximum distance between brackets at Rail Joint: 600 mm

It is only allowed to use the Joint Kit on an uncut Solar Rail end.

Parts list

Part	Material	Quantity	Weight (g)
U-Profile	S550GD ZM310	1	196
Plate	S550GD ZM310	1	83
			Total: 279

Compatible products

91231X (1/2/8/9): Solar Rail

9834: Flange Bolt M8x20

9839: Speed Clip

9843: HEX Locker 8 mm



912314