

MAFI 91230

Solar

Multi Clamp



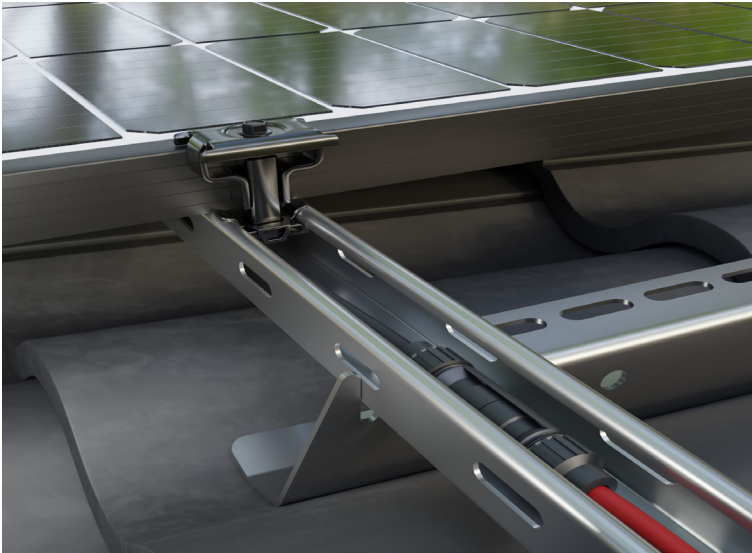
Tile



TRP



Plegel



About the Product

The Multi Clamp is designed to fasten solar panels to the Solar Rail using HEX Locker 8 mm. It has a clamping zone of 50 mm to meet the requirement of some solar panel manufacturers and all parts are in black coating for optimal aesthetics. The Multi Clamp is IP-protected.

Flexibility

One clamp fits all, the Multi Clamp is designed to be used as both end and middle clamp and it fits all panels with a frame height of 28-45 mm. The Multi Clamp is easy to slide along the Solar Rail and it is designed to prevent any damage to cables or MC4 contacts inside.

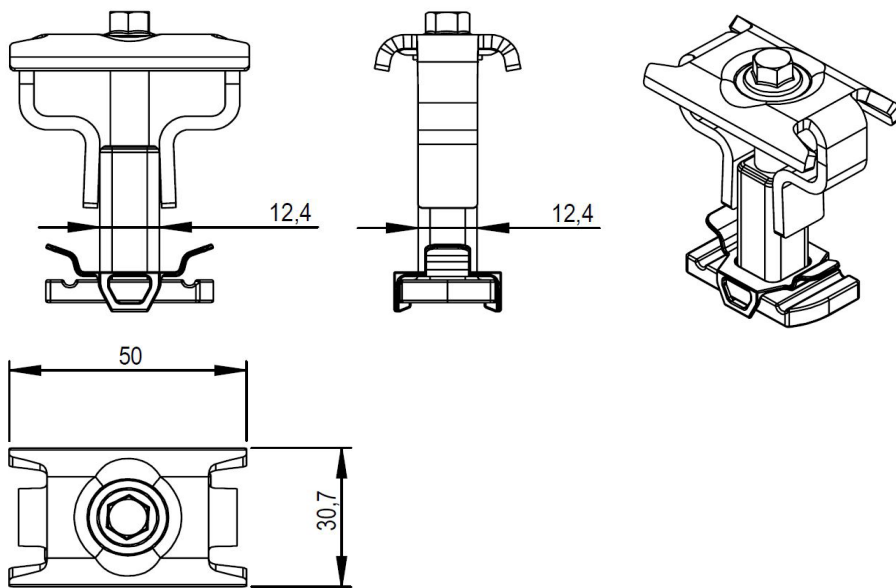
How to Order

To order, please contact MAFI quoting article number:

MAFI 91230

Please visit <https://www.mafigroup.com/how-to-order/> for regional contact information.





Measurements in millimeters

Info

Maximum torque: 8 Nm

Tool: We recommend using HEX Locker 8 mm

Parts list

Part	Material	Quantity	Weight (g)
Panel Clamp Bushing Nut	10B21	1	41
Panel Clamp Head Cap	S355MC	1	59
Panel Clamp Clip	Polyamide	1	0.6
Flange bolt M8 x 40H	8.8 HDG	1	15
Lock washer for M8 bolt M8 x 40H	PA6	1	0.4

Total: 116



91230